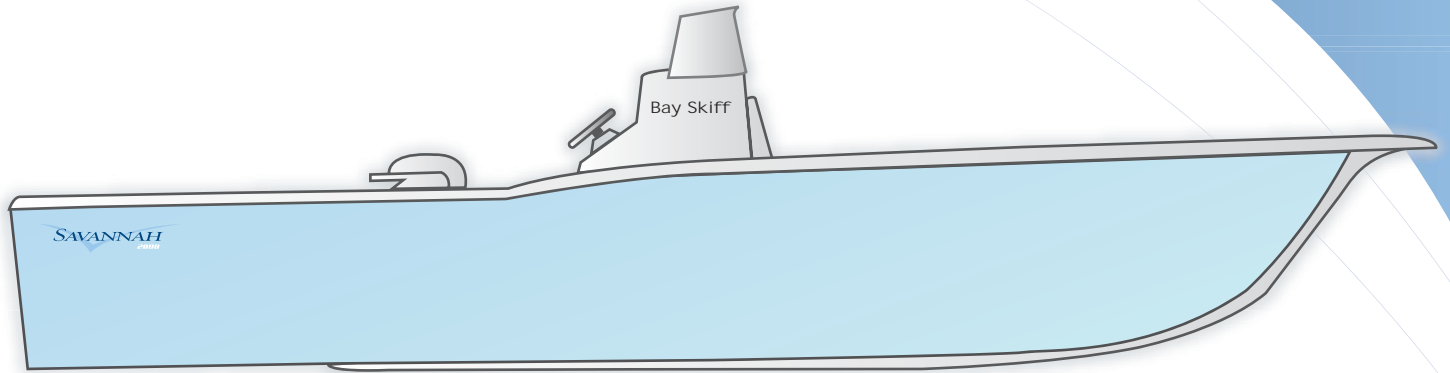


2080
Bay Skiff

SAVANNAH
SKIFFS®

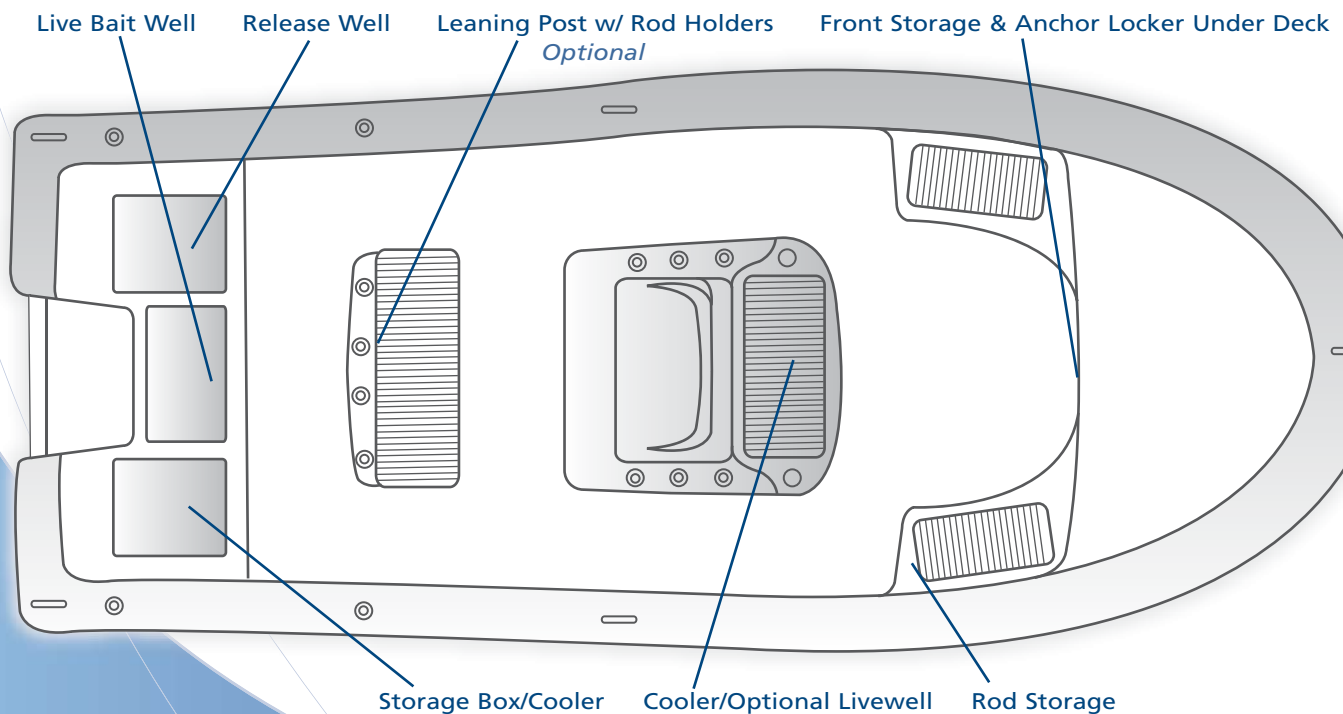


Specifications

LOA	19'6"
Beam	8'0
Draft	7"
Dry Weight	1450
Maximum HP	150
Recommended	90
Fuel Capacity	30 Gallons

INTEGRATED FULL LINER

Deck Plan

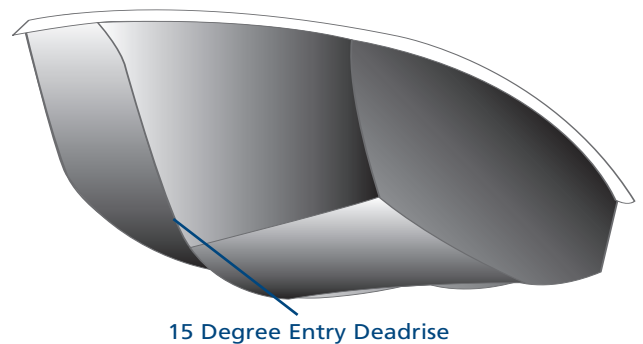
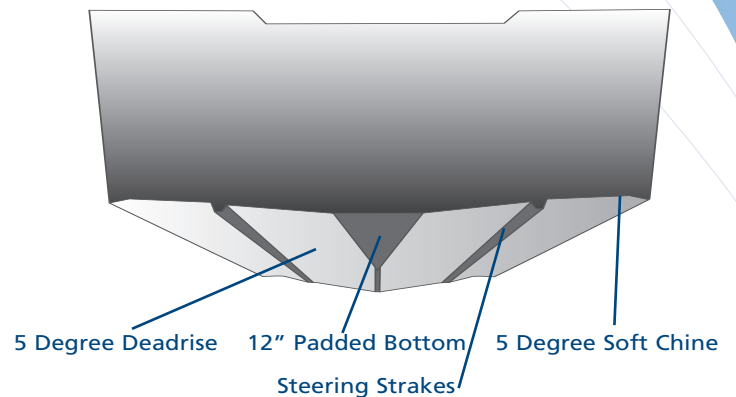


Standard Equipment

- Hand laid glass no wood construction
- Foam flotation
- Self bailing cockpit
- Stainless steel hardware and wheel
- Stainless steel cleats
- Console cooler and seat
- Analog instrumentation package, includes gauges & premium cables
- Mechanical Steering
- Stainless steel thru hulls
- Stainless steel rod holders
- Coast Guard-approved navigational lighting
- Recessed horizontal rod storage
- Premium gel coat and glass components
- 10 year transferable warranty
- Live well with recirculating aerator
- Automatic bilge pump
- Rub rail
- Lockable console storage box
- Bow casting platform with storage & anchor locker
- Compass
- Stainless steel drink holders

POPULAR OPTIONS

- Colored hull side f.lady yellow, ice blue, harbor blue, seafoam green
- T-top
- Tackle box
- Leaning post, backrest, and footstand
- Hydraulic steering
- Release well
- Bow cushion



SAVANNAH
SKIFFS®

Carolina Sea Craft Group

2957 Old HWY 87 Delco, North Carolina 28436

910.655.2111

www.SavannahBoatworks.com • www.ChaosBoatworks.com